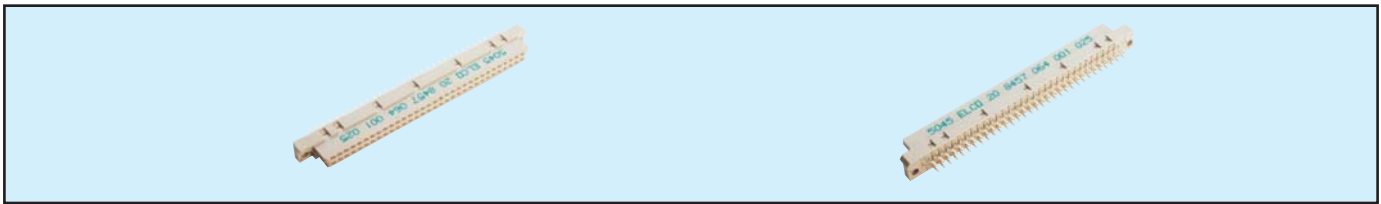


Female Style B



Series 8457 – 2 rows (2 x 32)



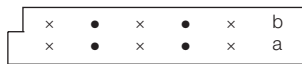
Contact Design and Termination Length	Number of Contacts	Loading Description	Part Number Performance classes according to DIN 41612	
			II	I
0.6 x 0.6 mm Post Profile 4.5 mm (Y) Straight	64	a + b fully loaded	20 8457 064 001 025	20 8457 064 001 049
	32	a + b even loading	20 8457 064 001 031	20 8457 064 001 055
	32	a loading only	20 8457 064 001 027	20 8457 064 001 051
0.6 x 0.6 mm Post Profile 2.9 mm (Y) Straight	64	a + b fully loaded	20 8457 064 002 025	20 8457 064 002 049
	32	a + b even loading	20 8457 064 002 031	20 8457 064 002 055
	32	a loading only	20 8457 064 002 027	20 8457 064 002 051
0.6 x 0.6 mm Post Profile 13.0 mm (Y) Straight	64	a + b fully loaded	20 8457 064 005 025	20 8457 064 005 049
	32	a + b even loading	20 8457 064 005 031	20 8457 064 005 055
	32	a loading only	20 8457 064 005 027	20 8457 064 005 051
0.6 x 0.6 mm Post Profile 7.0 mm (Y) Straight	64	a + b fully loaded	20 8457 064 010 025	20 8457 064 010 049
	32	a + b even loading	20 8457 064 010 031	20 8457 064 010 055
	32	a loading only	20 8457 064 010 027	20 8457 064 010 051
0.6 x 0.6 mm Post Profile 3.5 mm (Y) Straight	64	a + b fully loaded	20 8457 064 011 025	20 8457 064 011 049
	32	a + b even loading	20 8457 064 011 031	20 8457 064 011 055
	32	a loading only	20 8457 064 011 027	20 8457 064 011 051
0.6 x 0.6 mm Post Profile 19.4 mm (Y) Straight	64	a + b fully loaded	20 8457 064 012 025	20 8457 064 012 049
	32	a + b even loading	20 8457 064 012 031	20 8457 064 012 055
	32	a loading only	20 8457 064 012 027	20 8457 064 012 051
0.6 x 0.6 mm Post Profile 4.5 mm (Y) Right Angled	64	a + b fully loaded	20 8457 064 013 025	20 8457 064 013 049
	32	a + b even loading	20 8457 064 013 031	20 8457 064 013 055
	32	a loading only	20 8457 064 013 027	20 8457 064 013 051

NB: Alternative Prefix Variations Available: 22, 24, 25, 26 & 27, please refer to Page 10.
Additional Plating & Loading Variations: Please contact your local AVX sales office or distributor.

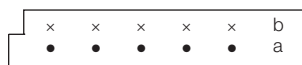
LOADING DESCRIPTION



64 contacts, rows a + b fully loaded

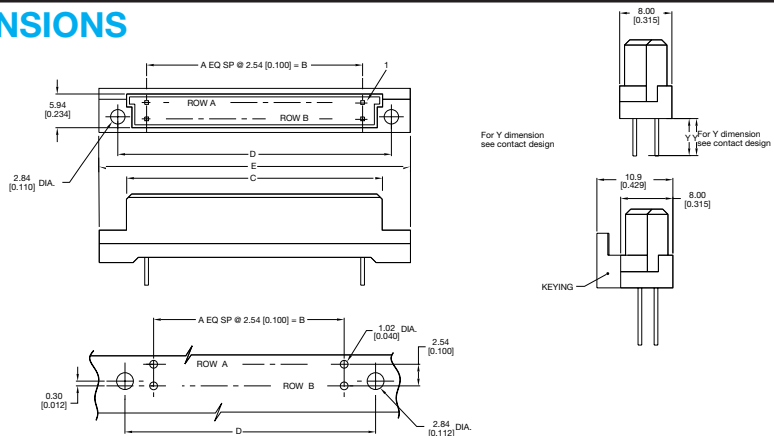


32 contacts, rows a + b even loading



32 contacts, row a loading only

DIMENSIONS



Unit: millimeters (inches)

No. Contact Positions	Contact Rows	A	B	C	D	E
64	2 (2 x 32)	31	78.74 (3.100)	84.91 (3.343)	89.99 (3.543)	94.89 (3.736)